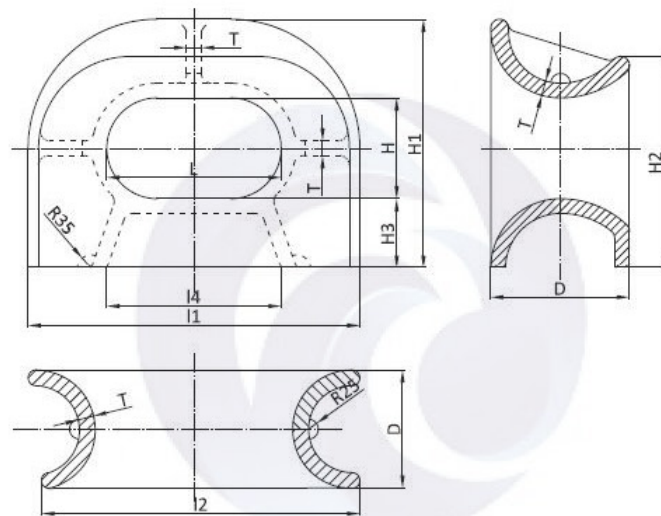


PANAMA CHOCKS

Deck Mounted Closed Chocks ISO13729-2012



Nominal Size L x H x D	I1	I2	I3	I4	H1	H2	H3	T	SWL		Weight (Kg)
									KN	t	
250x200x214	488	453	76	265	427	368	108	22	226	23	73
300x250x286	614	565	89	330	551	481	144	26	422	43	142
350x250x333	716	660	114	403	601	525	168	30	549	56	222
400x250x381	820	754	139	475	652	553	192	36	687	70	310
450x250x381	870	804	164	524	652	553	192	36	706	72	322
500x250x381	920	854	189	574	652	553	192	36	765	78	337
400x250x428	870	796	139	500	701	609	216	38	883	90	434
450x250x428	920	846	164	550	701	609	216	38	912	93	452
500x250x428	970	896	189	600	701	609	216	38	932	95	472
500x400x428	970	896	176	600	851	759	216	38	893	91	528
500x250x525A	1 068	1 000	190	652	798	675	264	40	1 148	117	657
500x400x525A	1 068	1 000	193	652	948	825	264	40	1 158	118	724
500x250x525B	1 074	1 000	176	652	801	680	264	46	1 413	144	753
500x400x525B	1 074	1 000	179	652	951	830	264	46	1 383	141	825

Qingdao Seakong Marine Machinery Co.,Ltd

No.19 Qutangxia Road, Shinan District, Qingdao City, China

Tel. +86 532 89922862 Fax. +86 532 89922862

Email: sales@seakongmarine.com Web: www.seakongmarine.com