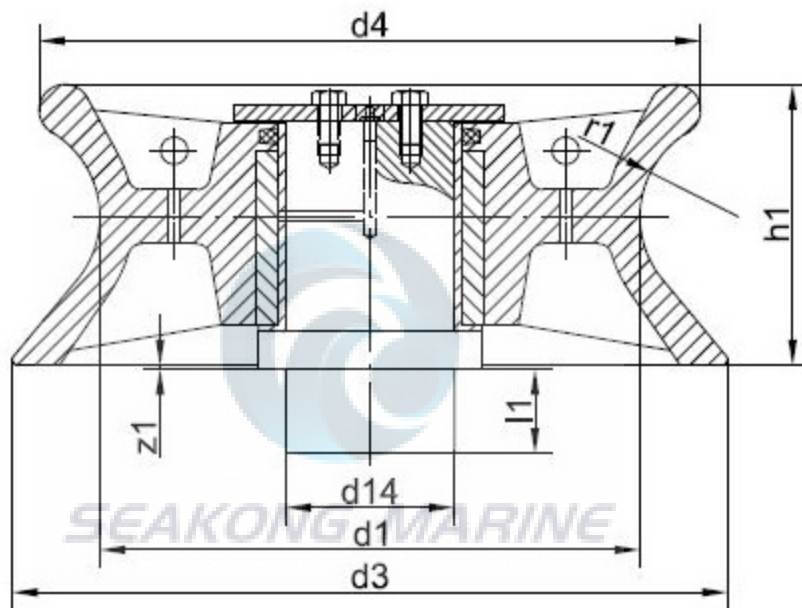


**Warping Rollers DIN 81906**



| Type | Rated Towing Pull (KN) | d1  | d3  | d4  | d14 | h1  | l1  | r1  | z1  | Weight (kg) |
|------|------------------------|-----|-----|-----|-----|-----|-----|-----|-----|-------------|
| 1    | 10                     | 160 | 210 | 195 | 60  | 80  | 50  | 25  | 1.5 | 14          |
| 2    | 20                     | 200 | 265 | 245 | 70  | 102 | 50  | 32  | 2.5 | 20          |
| 3    | 30                     | 250 | 330 | 300 | 85  | 126 | 50  | 42  | 2.5 | 33          |
| 5    | 50                     | 320 | 420 | 390 | 106 | 160 | 50  | 55  | 2.5 | 72          |
| 8    | 80                     | 400 | 530 | 490 | 125 | 208 | 60  | 73  | 2.5 | 140         |
| 12   | 120                    | 450 | 610 | 560 | 160 | 256 | 85  | 95  | 2.5 | 240         |
| 20   | 200                    | 500 | 640 | 620 | 190 | 278 | 100 | 111 | 4.5 | 320         |
| 32   | 320                    | 560 | 780 | 740 | 230 | 348 | 150 | 125 | 4.5 | 580         |