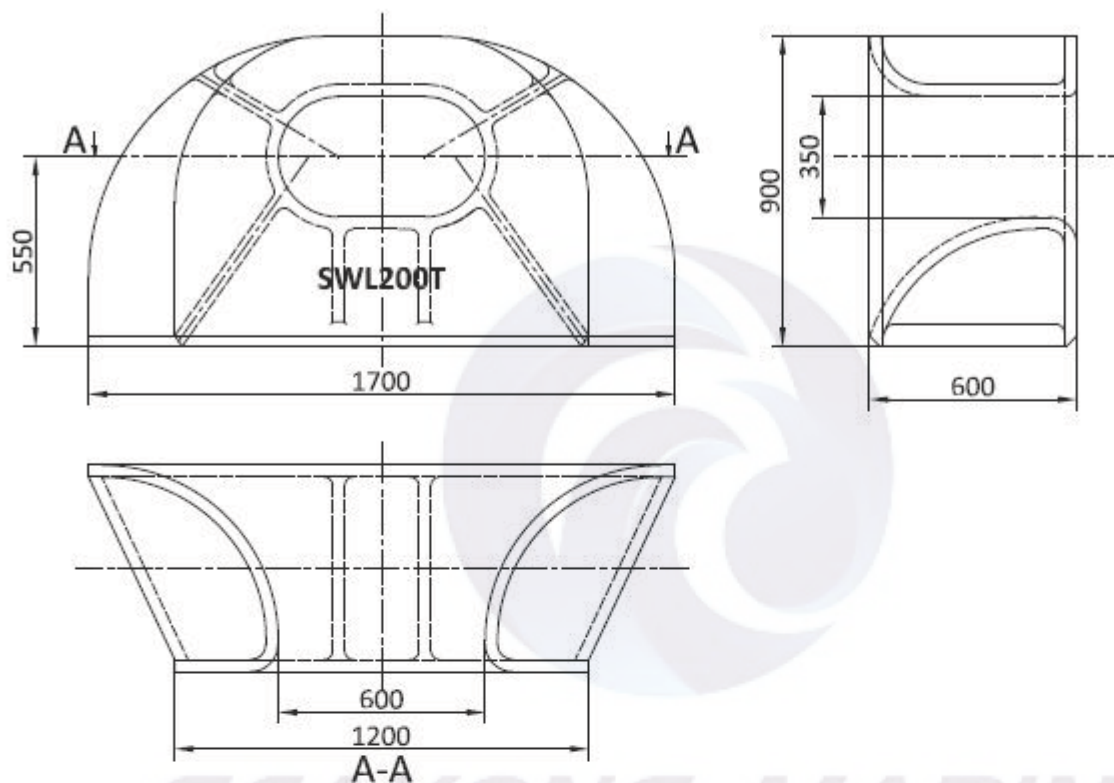


# MARINE CHOCKS

## Enlarged Towing Fairlead SWL200T



- For Towing Application
- Normalizing
- SWL: 2000KN

**Qingdao Seakong Marine Machinery Co.,Ltd**

No.19 Qutangxia Road, Shinan District, Qingdao City, China

Tel. +86 532 89922862 Fax. +86 532 89922862

Email: [sales@seakongmarine.com](mailto:sales@seakongmarine.com) Web: [www.seakongmarine.com](http://www.seakongmarine.com)