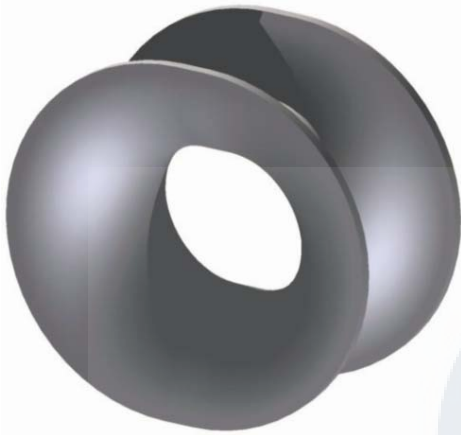


# PANAMA CHOCKS

## Bulwark Mounted Chock Type B NS 2589



**Material:**

Cast Steel NS 11640 or ZG230-450 or equivalent

**Surface Treatment:**

Sand Blasting to SA2.5+ one coat epoxy zinc rich primer

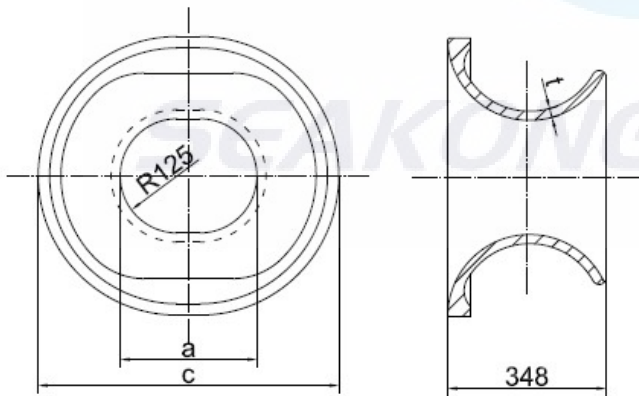
**Heat Treatment:**

Full Annealing

**NOTE:** Casting surface should be no sand burning crack, shrinkage cavity, pits, sand layer or any other defect that influence the strength and appearance. All the edges to be rounded and region that contact with rope must be smooth.

**Type 300x250:** Single Chock Acc. to Panama Rules, SWL=445 KN

**Type 400x250:** Double Chock Acc. to Panama Rules, SWL=625 KN



Type	a	c	t	Weight (Kg)
300x250	300	660	20	114
400x250	400	760	25	153

**Qingdao Seakong Marine Machinery Co.,Ltd**

No.19 Qutangxia Road, Shinan District, Qingdao City, China

Tel. +86 532 89922862 Fax. +86 532 89922862

Email: [sales@seakongmarine.com](mailto:sales@seakongmarine.com) Web: [www.seakongmarine.com](http://www.seakongmarine.com)