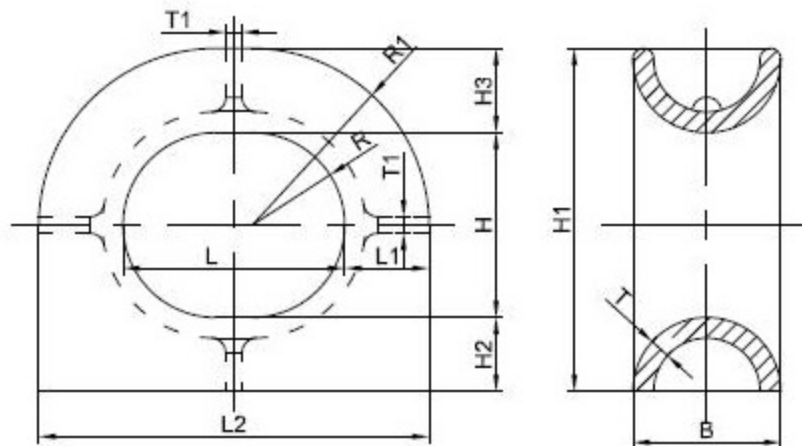
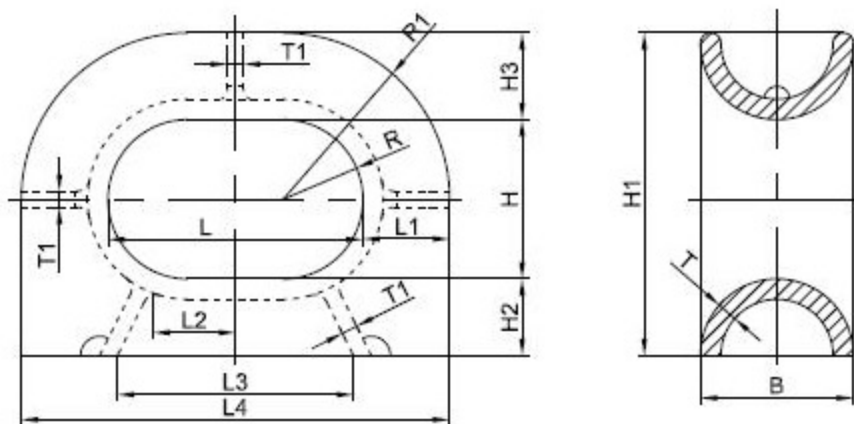


Closed Chocks JIS F2005-1975



Normal Size 100mm~200mm

Nominal Size	L	L1	L2	B	H	H1	H2	H3	R	R1	T	T1	Weight (Kg)
250	100	35	170	60	76	141	30	35	38	73	12	10	3.7
300	150	50	250	90	110	205	45	50	55	105	16	12	10.5
350	200	70	340	120	150	280	60	70	75	145	20	16	24.0



Normal Size 250mm~500mm

Nominal Size	L	L1	L2	L3	L4	B	H	H1	H2	H3	R	R1	T	T1	Weight (Kg)
250	250	92	100	250	434	160	200	372	80	92	100	192	24	20	48
300	300	114	110	300	528	200	250	464	100	114	125	239	28	22	83
350	350	125	125	350	600	220	250	485	110	125	125	250	30	22	103
400	400	136	135	370	672	240	250	506	120	136	125	261	32	25	136
450	450	148	150	400	746	260	250	528	130	148	125	273	36	28	184
500	500	160	175	450	820	280	250	550	140	160	125	285	40	30	232